



POLY BASE FIXED STUD GLIDES

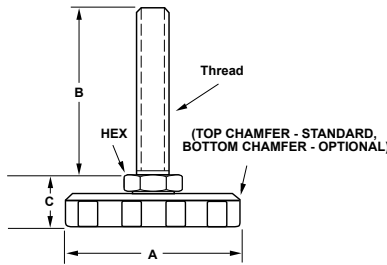
The IEC Poly Base Steel and Stainless Steel Fixed Stud Glide is ideal for medium-duty load requirements. The stud will tilt several degrees under load to compensate for unlevel surfaces. Cost-effective for applications not requiring a swivel base. Zinc plated steel stud and black polypropylene base, 3/8" thick. Four base sizes to choose from (1" to 3"). Many sizes available with Top-A-Just™ top-end external hex (-HX). You may also request top broached hex, allen drive (-BR)



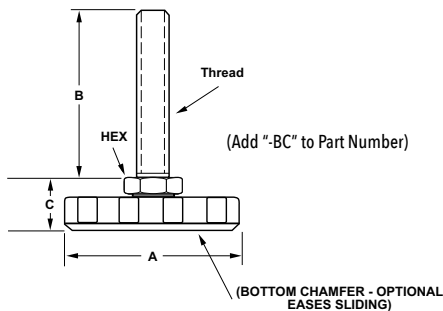
Top-A-Just™ (-BR)



Top-A-Just™ (-HX)



Optional bottom chamfer (reverse assembly) – with 90° top edge



Steel	SS	Load	Thread	Hex	A	B	C
Poly Base Steel and Stainless Steel Fixed Stud Glides							
IL7-4Bx1/2	IL7-4BSx1/2	100	1/4-20	1/2	1	1/2	11/16
IL7-4Bx1	IL7-4BSx1	100	1/4-20	1/2	1	1	11/16
IL7-4B	IL7-4BS	100	1/4-20	1/2	1	1-9/16	11/16
IL7-4Bx2-HX	IL7-4BSx2-HX	100	1/4-20	1/2	1	2	11/16
IL7-4Bx2.5	IL7-4BSx2.5	100	1/4-20	1/2	1	2-1/2	11/16
IL7-5Bx3/4	IL7-5BSx3/4	500	5/16-18	1/2	1	3/4	11/16
IL7-5Bx15-HX	IL7-5BSx15-HX	500	5/16-18	1/2	1	1-1/2	11/16
IL7-5B	IL7-5BS	500	5/16-18	1/2	1	1-9/16	11/16
IL7-5Bx25-HX	IL7-5BSx25-HX	500	5/16-18	1/2	1	2-1/2	11/16
IL7-5Bx3	IL7-5BSx3	500	5/16-18	1/2	1	3	11/16
IL7-5Bx4	IL7-5BSx4	500	5/16-18	1/2	1	4	11/16
IL7-6Bx3/4	IL7-6BSx3/4	1000	3/8-16	1/2	1	3/4	11/16
IL7-6Bx15-HX	IL7-6BSx15-HX	1000	3/8-16	1/2	1	1-1/2	11/16
IL7-6B	IL7-6BS	1000	3/8-16	1/2	1	1-9/16	11/16
IL7-6Bx1	IL7-6BSx1	1000	3/8-16	1/2	1	1	11/16
IL7-6Bx2	IL7-6BSx2	1000	3/8-16	1/2	1	2	11/16
IL7-6Bx2-HX	IL7-6BSx2-HX	1000	3/8-16	1/2	1	2	11/16
IL7-6Bx3	IL7-6BSx3	1000	3/8-16	1/2	1	3	11/16
IL7-6Bx3-HX	IL7-6BSx3-HX	1000	3/8-16	1/2	1	3	11/16
IL7-6Bx4	IL7-6BSx4	1000	3/8-16	1/2	1	4	11/16
IL7-6Bx45-HX	IL7-6BSx45-HX	1000	3/8-16	1/2	1	4-1/2	11/16
IL7-6Bx6-HX	IL7-6BSx6-HX	1000	3/8-16	1/2	1	6	11/16
IL7-6FBx1	IL7-6FBSx1	1000	3/8-24	1/2	1	1	11/16
IL7-6FBx2	IL7-6FBSx2	1000	3/8-24	1/2	1	2	11/16
IL7-7B	IL7-7BS	2000	1/2-13	1/2	1	1-9/16	11/16
IL7-7Bx2	IL7-7BSx2	2000	1/2-13	1/2	1	2	11/16
IL7-7Bx2-HX	IL7-7BSx2-HX	2000	1/2-13	1/2	1	2	11/16
IL7-7Bx2.5-HX	IL7-7BSx2.5-HX	2000	1/2-13	1/2	1	2-1/2	11/16
IL7-7Bx3	IL7-7BSx3	2000	1/2-13	1/2	1	3	11/16
IL7-7Bx3-HX	IL7-7BSx3-HX	2000	1/2-13	1/2	1	3	11/16
IL7-7Bx3.5-HX	IL7-7BSx3.5-HX	2000	1/2-13	1/2	1	3-1/2	11/16
IL7-7Bx4	IL7-7BSx4	2000	1/2-13	1/2	1	4	11/16
IL7-7Bx4-HX	IL7-7BSx4-HX	2000	1/2-13	1/2	1	4	11/16
IL7-7Bx5	IL7-7BSx5	2000	1/2-13	1/2	1	5	11/16
IL7-7Bx5-HX	IL7-7BSx5-HX	2000	1/2-13	1/2	1	5	11/16
IL7-7Bx6-HX	IL7-7BSx6-HX	1500	1/2-13	1/2	1	6	11/16
IL7-7Bx8-HX	IL7-7BSx8-HX	1000	1/2-13	1/2	1	8	11/16
IL7-7FBx1	IL7-7FBSx1	2000	1/2-20	1/2	1	1	11/16
IL7-7FBx2	IL7-7FBSx2	2000	1/2-20	1/2	1	2	11/16
IL7-7FBx4	IL7-7FBSx4	2000	1/2-20	1/2	1	4	11/16
IL7-8B	IL7-8BS	2500	5/8-11	5/8	1	1-9/16	11/16
IL7-8Bx3	IL7-8BSx3	2500	5/8-11	5/8	1	3	11/16
IL7-8Bx4	IL7-8BSx4	2500	5/8-11	5/8	1	4	11/16
IL7-8Bx5	IL7-8BSx5	2500	5/8-11	5/8	1	5	11/16
IL7-9B	IL7-9BS	3000	3/4-10	3/4	1	1-9/16	11/16
IL7-9Bx3	IL7-9BSx3	3000	3/4-10	3/4	1	3	11/16
IL7-9Bx4	IL7-9BSx4	3000	3/4-10	3/4	1	4	11/16
IL8-4Bx1/2	IL8-4BSx1/2	100	1/4-20	1/2	1-1/2	1/2	11/16
IL8-4Bx1	IL8-4BSx1	100	1/4-20	1/2	1-1/2	1	11/16
IL8-4B	IL8-4BS	100	1/4-20	1/2	1-1/2	1-9/16	11/16
IL8-4Bx2-HX	IL8-4BSx2-HX	100	1/4-20	1/2	1-1/2	2	11/16
IL8-4Bx2.5	IL8-4BSx2.5	100	1/4-20	1/2	1-1/2	2-1/2	11/16
IL8-5Bx3/4	IL8-5BSx3/4	500	5/16-18	1/2	1-1/2	3/4	11/16
IL8-5Bx15-HX	IL8-5BSx15-HX	500	5/16-18	1/2	1-1/2	1-1/2	11/16
IL8-5B	IL8-5BS	500	5/16-18	1/2	1-1/2	1-9/16	11/16
IL8-5Bx25-HX	IL8-5BSx25-HX	500	5/16-18	1/2	1-1/2	2-1/2	11/16
IL8-5Bx3	IL8-5BSx3	500	5/16-18	1/2	1-1/2	3	11/16
IL8-5Bx4	IL8-5BSx4	500	5/16-18	1/2	1-1/2	4	11/16
IL8-6Bx3/4	IL8-6BSx3/4	1000	3/8-16	1/2	1-1/2	3/4	11/16
IL8-6Bx15-HX	IL8-6BSx15-HX	1000	3/8-16	1/2	1-1/2	1-1/2	11/16
IL8-6B	IL8-6BS	1000	3/8-16	1/2	1-1/2	1-9/16	11/16
IL8-6Bx1	IL8-6BSx1	1000	3/8-16	1/2	1-1/2	1	11/16
IL8-6Bx2	IL8-6BSx2	1000	3/8-16	1/2	1-1/2	2	11/16
IL8-6Bx2-HX	IL8-6BSx2-HX	1000	3/8-16	1/2	1-1/2	2	11/16
IL8-6Bx3	IL8-6BSx3	1000	3/8-16	1/2	1-1/2	3	11/16
IL8-6Bx3-HX	IL8-6BSx3-HX	1000	3/8-16	1/2	1-1/2	3	11/16
IL8-6Bx4	IL8-6BSx4	1000	3/8-16	1/2	1-1/2	4	11/16
IL8-6Bx45-HX	IL8-6BSx45-HX	1000	3/8-16	1/2	1-1/2	4-1/2	11/16
IL8-6Bx6-HX	IL8-6BSx6-HX	1000	3/8-16	1/2	1-1/2	6	11/16
IL8-6FBx1	IL8-6FBSx1	1000	3/8-24	1/2	1-1/2	1	11/16
IL8-6FBx2	IL8-6FBSx2	1000	3/8-24	1/2	1-1/2	2	11/16
IL8-7B	IL8-7BS	2000	1/2-13	1/2	1-1/2	1-9/16	11/16
IL8-7Bx2	IL8-7BSx2	2000	1/2-13	1/2	1-1/2	2	11/16
IL8-7Bx2-HX	IL8-7BSx2-HX	2000	1/2-13	1/2	1-1/2	2	11/16
IL8-7Bx2.5-HX	IL8-7BSx2.5-HX	2000	1/2-13	1/2	1-1/2	2-1/2	11/16
IL8-7Bx3	IL8-7BSx3	2000	1/2-13	1/2	1-1/2	3	11/16
IL8-7Bx3-HX	IL8-7BSx3-HX	2000	1/2-13	1/2	1-1/2	3	11/16
IL8-7Bx3.5-HX	IL8-7BSx3.5-HX	2000	1/2-13	1/2	1-1/2	3-1/2	11/16
IL8-7Bx4	IL8-7BSx4	2000	1/2-13	1/2	1-1/2	4	11/16
IL8-7Bx4-HX	IL8-7BSx4-HX	2000	1/2-13	1/2	1-1/2	4	11/16
IL8-7Bx5	IL8-7BSx5	2000	1/2-13	1/2	1-1/2	5	11/16
IL8-7Bx5-HX	IL8-7BSx5-HX	2000	1/2-13	1/2	1-1/2	5	11/16
IL8-7Bx6-HX	IL8-7BSx6-HX	1500	1/2-13	1/2	1-1/2	6	11/16
IL8-7Bx8-HX	IL8-7BSx8-HX	1000	1/2-13	1/2	1-1/2	8	11/16



POLY BASE FIXED STUD GLIDES WITH RUBBER PAD

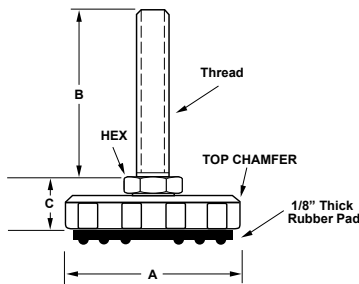
The IEC Poly Base Steel and Stainless Steel Fixed Stud Glide with Rubber Pad is ideal for medium-duty load requirements. The rubber pad provides a non-skid, surface protecting feature, while the stud tilts several degrees under load to compensate for unlevel surfaces. Cost-effective for applications not requiring a swivel base. Zinc plated steel stud and black polypropylene base, 3/8" thick. Four base sizes to choose from (1" to 3"). Many sizes available with Top-A-Just™ top-end external hex (-HX). You may also request top broached hex, allen drive (-BR).



Top-A-Just™ (-BR)



Top-A-Just™ (-HX)



Rubber Pad Bottom View

Steel	SS	Load	Thread	Hex	A	B	C
Poly Base Steel and Stainless Steel Fixed Stud Glides							
IL7-4Bx1/2-P	IL7-4BSx1/2-P	100	1/4-20	1/2	1	1/2	11/16
IL7-4Bx1-P	IL7-4BSx1-P	100	1/4-20	1/2	1	1	11/16
IL7-4B-P	IL7-4BS-P	100	1/4-20	1/2	1	1-9/16	11/16
IL7-4Bx2-HX-P	IL7-4BSx2-HX-P	100	1/4-20	1/2	1	2	11/16
IL7-4Bx25-P	IL7-4BSx25-P	100	1/4-20	1/2	1	2-1/2	11/16
IL7-5Bx3/4-P	IL7-5BSx3/4-P	500	5/16-18	1/2	1	3/4	11/16
IL7-5Bx15-HX-P	IL7-5BSx15-HX-P	500	5/16-18	1/2	1	1-1/2	11/16
IL7-5B-P	IL7-5BS-P	500	5/16-18	1/2	1	1-9/16	11/16
IL7-5Bx25-HX-P	IL7-5BSx25-HX-P	500	5/16-18	1/2	1	2-1/2	11/16
IL7-5Bx3-P	IL7-5BSx3-P	500	5/16-18	1/2	1	3	11/16
IL7-5Bx4-P	IL7-5BSx4-P	500	5/16-18	1/2	1	4	11/16
IL7-6Bx3/4-P	IL7-6BSx3/4-P	1000	3/8-16	1/2	1	3/4	11/16
IL7-6Bx15-HX-P	IL7-6BSx15-HX-P	1000	3/8-16	1/2	1	1-1/2	11/16
IL7-6B-P	IL7-6BS-P	1000	3/8-16	1/2	1	1-9/16	11/16
IL7-6Bx1-P	IL7-6BSx1-P	1000	3/8-16	1/2	1	1	11/16
IL7-6Bx2-P	IL7-6BSx2-P	1000	3/8-16	1/2	1	2	11/16
IL7-6Bx2-HX-P	IL7-6BSx2-HX-P	1000	3/8-16	1/2	1	2	11/16
IL7-6Bx3-P	IL7-6BSx3-P	1000	3/8-16	1/2	1	3	11/16
IL7-6Bx3-HX-P	IL7-6BSx3-HX-P	1000	3/8-16	1/2	1	3	11/16
IL7-6Bx4-P	IL7-6BSx4-P	1000	3/8-16	1/2	1	4	11/16
IL7-6Bx45-HX-P	IL7-6BSx45-HX-P	1000	3/8-16	1/2	1	4-1/2	11/16
IL7-6Bx6-HX-P	IL7-6BSx6-HX-P	1000	3/8-16	1/2	1	6	11/16
IL7-6FBx1-P	IL7-6FBSx1-P	1000	3/8-24	1/2	1	1	11/16
IL7-6FBx2-P	IL7-6FBSx2-P	1000	3/8-24	1/2	1	2	11/16
IL7-7B-P	IL7-7BS-P	2000	1/2-13	1/2	1	1-9/16	11/16
IL7-7Bx2-P	IL7-7BSx2-P	2000	1/2-13	1/2	1	2	11/16
IL7-7Bx2-HX-P	IL7-7BSx2-HX-P	2000	1/2-13	1/2	1	2	11/16
IL7-7Bx25-HX-P	IL7-7BSx25-HX-P	2000	1/2-13	1/2	1	2-1/2	11/16
IL7-7Bx3-P	IL7-7BSx3-P	2000	1/2-13	1/2	1	3	11/16
IL7-7Bx3-HX-P	IL7-7BSx3-HX-P	2000	1/2-13	1/2	1	3	11/16
IL7-7Bx35-HX-P	IL7-7BSx35-HX-P	2000	1/2-13	1/2	1	3-1/2	11/16
IL7-7Bx4-P	IL7-7BSx4-P	2000	1/2-13	1/2	1	4	11/16
IL7-7Bx4-HX-P	IL7-7BSx4-HX-P	2000	1/2-13	1/2	1	4	11/16
IL7-7Bx5-P	IL7-7BSx5-P	2000	1/2-13	1/2	1	5	11/16
IL7-7Bx5-HX-P	IL7-7BSx5-HX-P	2000	1/2-13	1/2	1	5	11/16
IL7-7Bx6-HX-P	IL7-7BSx6-HX-P	1500	1/2-13	1/2	1	6	11/16
IL7-7Bx8-HX-P	IL7-7BSx8-HX-P	1000	1/2-13	1/2	1	8	11/16
IL7-7FBx1-P	IL7-7FBSx1-P	2000	1/2-20	1/2	1	1	11/16
IL7-7FBx2-P	IL7-7FBSx2-P	2000	1/2-20	1/2	1	2	11/16
IL7-7FBx4-P	IL7-7FBSx4-P	2000	1/2-20	1/2	1	4	11/16
IL7-8B-P	IL7-8BS-P	2500	5/8-11	5/8	1	1-9/16	11/16
IL7-8Bx3-P	IL7-8BSx3-P	2500	5/8-11	5/8	1	3	11/16
IL7-8Bx4-P	IL7-8BSx4-P	2500	5/8-11	5/8	1	4	11/16
IL7-8Bx5-P	IL7-8BSx5-P	2500	5/8-11	5/8	1	5	11/16
IL7-9B-P	IL7-9BS-P	3000	3/4-10	3/4	1	1-9/16	11/16
IL7-9Bx3-P	IL7-9BSx3-P	3000	3/4-10	3/4	1	3	11/16
IL7-9Bx4-P	IL7-9BSx4-P	3000	3/4-10	3/4	1	4	11/16
IL8-4Bx1/2-P	IL8-4BSx1/2-P	100	1/4-20	1/2	1-1/2	1/2	11/16
IL8-4Bx1-P	IL8-4BSx1-P	100	1/4-20	1/2	1-1/2	1	11/16
IL8-4B-P	IL8-4BS-P	100	1/4-20	1/2	1-1/2	1-9/16	11/16
IL8-4Bx2-HX-P	IL8-4BSx2-HX-P	100	1/4-20	1/2	1-1/2	2	11/16
IL8-4Bx25-P	IL8-4BSx25-P	100	1/4-20	1/2	1-1/2	2-1/2	11/16
IL8-5Bx3/4-P	IL8-5BSx3/4-P	500	5/16-18	1/2	1-1/2	3/4	11/16
IL8-5Bx15-HX-P	IL8-5BSx15-HX-P	500	5/16-18	1/2	1-1/2	1-1/2	11/16
IL8-5B-P	IL8-5BS-P	500	5/16-18	1/2	1-1/2	1-9/16	11/16
IL8-5Bx25-HX-P	IL8-5BSx25-HX-P	500	5/16-18	1/2	1-1/2	2-1/2	11/16
IL8-5Bx3-P	IL8-5BSx3-P	500	5/16-18	1/2	1-1/2	3	11/16
IL8-5Bx4-P	IL8-5BSx4-P	500	5/16-18	1/2	1-1/2	4	11/16
IL8-6Bx3/4-P	IL8-6BSx3/4-P	1000	3/8-16	1/2	1-1/2	3/4	11/16
IL8-6Bx15-HX-P	IL8-6BSx15-HX-P	1000	3/8-16	1/2	1-1/2	1-1/2	11/16
IL8-6B-P	IL8-6BS-P	1000	3/8-16	1/2	1-1/2	1-9/16	11/16
IL8-6Bx1-P	IL8-6BSx1-P	1000	3/8-16	1/2	1-1/2	1	11/16
IL8-6Bx2-P	IL8-6BSx2-P	1000	3/8-16	1/2	1-1/2	2	11/16
IL8-6Bx2-HX-P	IL8-6BSx2-HX-P	1000	3/8-16	1/2	1-1/2	2	11/16
IL8-6Bx3-P	IL8-6BSx3-P	1000	3/8-16	1/2	1-1/2	3	11/16
IL8-6Bx3-HX-P	IL8-6BSx3-HX-P	1000	3/8-16	1/2	1-1/2	3	11/16
IL8-6Bx4-P	IL8-6BSx4-P	1000	3/8-16	1/2	1-1/2	4	11/16
IL8-6Bx45-HX-P	IL8-6BSx45-HX-P	1000	3/8-16	1/2	1-1/2	4-1/2	11/16
IL8-6Bx6-HX-P	IL8-6BSx6-HX-P	1000	3/8-16	1/2	1-1/2	6	11/16
IL8-6FBx1-P	IL8-6FBSx1-P	1000	3/8-24	1/2	1-1/2	1	11/16
IL8-6FBx2-P	IL8-6FBSx2-P	1000	3/8-24	1/2	1-1/2	2	11/16
IL8-7B-P	IL8-7BS-P	2000	1/2-13	1/2	1-1/2	1-9/16	11/16
IL8-7Bx2-P	IL8-7BSx2-P	2000	1/2-13	1/2	1-1/2	2	11/16
IL8-7Bx2-HX-P	IL8-7BSx2-HX-P	2000	1/2-13	1/2	1-1/2	2	11/16
IL8-7Bx25-HX-P	IL8-7BSx25-HX-P	2000	1/2-13	1/2	1-1/2	2-1/2	11/16
IL8-7Bx3-P	IL8-7BSx3-P	2000	1/2-13	1/2	1-1/2	3	11/16
IL8-7Bx3-HX-P	IL8-7BSx3-HX-P	2000	1/2-13	1/2	1-1/2	3	11/16
IL8-7Bx35-HX-P	IL8-7BSx35-HX-P	2000	1/2-13	1/2	1-1/2	3-1/2	11/16
IL8-7Bx4-P	IL8-7BSx4-P	2000	1/2-13	1/2	1-1/2	4	11/16
IL8-7Bx4-HX-P	IL8-7BSx4-HX-P	2000	1/2-13	1/2	1-1/2	4	11/16
IL8-7Bx5-P	IL8-7BSx5-P	2000	1/2-13	1/2	1-1/2	5	11/16
IL8-7Bx5-HX-P	IL8-7BSx5-HX-P	2000	1/2-13	1/2	1-1/2	5	11/16
IL8-7Bx6-HX-P	IL8-7BSx6-HX-P	1500	1/2-13	1/2	1-1/2	6	11/16
IL8-7Bx8-HX-P	IL8-7BSx8-HX-P	1000	1/2-13	1/2	1-1/2	8	11/16



POLY BASE FIXED STUD GLIDES

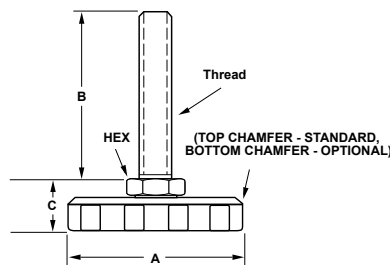
The IEC *Poly Base Steel and Stainless Steel Fixed Stud Glide* is ideal for medium-duty load requirements. The stud will tilt several degrees under load to compensate for unlevel surfaces. Cost-effective for applications not requiring a swivel base. Zinc plated steel stud and black polypropylene base, 3/8" thick. Four base sizes to choose from (1" to 3"). Many sizes available with Top-A-Just™ top-end external hex (-HX). You may also request top broached hex, allen drive (-BR).



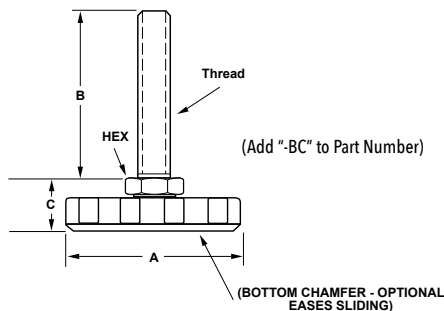
Top-A-Just™ (-BR)



Top-A-Just™ (-HX)



Optional bottom chamfer (reverse assembly) – with 90° top edge



Steel	SS	Load	Thread	Hex	A	B	C
Poly Base Steel and Stainless Steel Fixed Stud Glides							
IL8-7FBx1	IL8-7FBSx1	2000	1/2-20	1/2	1-1/2	1	11/16
IL8-7FBx2	IL8-7FBSx2	2000	1/2-20	1/2	1-1/2	2	11/16
IL8-7FBx4	IL8-7FBSx4	2000	1/2-20	1/2	1-1/2	4	11/16
IL8-8B	IL8-8BS	2500	5/8-11	5/8	1-1/2	1-9/16	11/16
IL8-8Bx3	IL8-8BSx3	2500	5/8-11	5/8	1-1/2	3	11/16
IL8-8Bx4	IL8-8BSx4	2500	5/8-11	5/8	1-1/2	4	11/16
IL8-8Bx5	IL8-8BSx5	2500	5/8-11	5/8	1-1/2	5	11/16
IL8-9B	IL8-9BS	3000	3/4-10	3/4	1-1/2	1-9/16	11/16
IL8-9Bx3	IL8-9BSx3	3000	3/4-10	3/4	1-1/2	3	11/16
IL8-9Bx4	IL8-9BSx4	3000	3/4-10	3/4	1-1/2	4	11/16
IL7A-4Bx1/2	IL7A-4BSx1/2	100	1/4-20	1/2	2	1/2	11/16
IL7A-4Bx1	IL7A-4BSx1	100	1/4-20	1/2	2	1	11/16
IL7A-4B	IL7A-4BS	100	1/4-20	1/2	2	1-9/16	11/16
IL7A-4Bx2-HX	IL7A-4BSx2-HX	100	1/4-20	1/2	2	2	11/16
IL7A-4Bx25	IL7A-4BSx25	100	1/4-20	1/2	2	2-1/2	11/16
IL7A-5Bx3/4	IL7A-5BSx3/4	500	5/16-18	1/2	2	3/4	11/16
IL7A-5Bx15-HX	IL7A-5BSx15-HX	500	5/16-18	1/2	2	1-1/2	11/16
IL7A-5B	IL7A-5BS	500	5/16-18	1/2	2	1-9/16	11/16
IL7A-5Bx25-HX	IL7A-5BSx25-HX	500	5/16-18	1/2	2	2-1/2	11/16
IL7A-5Bx3	IL7A-5BSx3	500	5/16-18	1/2	2	3	11/16
IL7A-5Bx4	IL7A-5BSx4	500	5/16-18	1/2	2	4	11/16
IL7A-6Bx3/4	IL7A-6BSx3/4	1000	3/8-16	1/2	2	3/4	11/16
IL7A-6Bx15-HX	IL7A-6BSx15-HX	1000	3/8-16	1/2	2	1-1/2	11/16
IL7A-6B	IL7A-6BS	1000	3/8-16	1/2	2	1-9/16	11/16
IL7A-6Bx1	IL7A-6BSx1	1000	3/8-16	1/2	2	1	11/16
IL7A-6Bx2	IL7A-6BSx2	1000	3/8-16	1/2	2	2	11/16
IL7A-6Bx2-HX	IL7A-6BSx2-HX	1000	3/8-16	1/2	2	2	11/16
IL7A-6Bx3	IL7A-6BSx3	1000	3/8-16	1/2	2	3	11/16
IL7A-6Bx3-HX	IL7A-6BSx3-HX	1000	3/8-16	1/2	2	3	11/16
IL7A-6Bx4	IL7A-6BSx4	1000	3/8-16	1/2	2	4	11/16
IL7A-6Bx45-HX	IL7A-6BSx45-HX	1000	3/8-16	1/2	2	4-1/2	11/16
IL7A-6Bx6-HX	IL7A-6BSx6-HX	1000	3/8-16	1/2	2	6	11/16
IL7A-6FBx1	IL7A-6FBSx1	1000	3/8-24	1/2	2	1	11/16
IL7A-6FBx2	IL7A-6FBSx2	1000	3/8-24	1/2	2	2	11/16
IL7A-7B	IL7A-7BS	2000	1/2-13	1/2	2	1-9/16	11/16
IL7A-7Bx2	IL7A-7BSx2	2000	1/2-13	1/2	2	2	11/16
IL7A-7Bx2-HX	IL7A-7BSx2-HX	2000	1/2-13	1/2	2	2	11/16
IL7A-7Bx25-HX	IL7A-7BSx25-HX	2000	1/2-13	1/2	2	2-1/2	11/16
IL7A-7Bx3	IL7A-7BSx3	2000	1/2-13	1/2	2	3	11/16
IL7A-7Bx3-HX	IL7A-7BSx3-HX	2000	1/2-13	1/2	2	3	11/16
IL7A-7Bx35-HX	IL7A-7BSx35-HX	2000	1/2-13	1/2	2	3-1/2	11/16
IL7A-7Bx4	IL7A-7BSx4	2000	1/2-13	1/2	2	4	11/16
IL7A-7Bx4-HX	IL7A-7BSx4-HX	2000	1/2-13	1/2	2	4	11/16
IL7A-7Bx5	IL7A-7BSx5	2000	1/2-13	1/2	2	5	11/16
IL7A-7Bx5-HX	IL7A-7BSx5-HX	2000	1/2-13	1/2	2	5	11/16
IL7A-7Bx6-HX	IL7A-7BSx6-HX	1500	1/2-13	1/2	2	6	11/16
IL7A-7Bx8-HX	IL7A-7BSx8-HX	1000	1/2-13	1/2	2	8	11/16
IL7A-7FBx1	IL7A-7FBSx1	2000	1/2-20	1/2	2	1	11/16
IL7A-7FBx2	IL7A-7FBSx2	2000	1/2-20	1/2	2	2	11/16
IL7A-7FBx4	IL7A-7FBSx4	2000	1/2-20	1/2	2	4	11/16
IL7A-8B	IL7A-8BS	2500	5/8-11	5/8	2	1-9/16	11/16
IL7A-8Bx3	IL7A-8BSx3	2500	5/8-11	5/8	2	3	11/16
IL7A-8Bx4	IL7A-8BSx4	2500	5/8-11	5/8	2	4	11/16
IL7A-8Bx5	IL7A-8BSx5	2500	5/8-11	5/8	2	5	11/16
IL7A-9B	IL7A-9BS	3000	3/4-10	3/4	2	1-9/16	11/16
IL7A-9Bx3	IL7A-9BSx3	3000	3/4-10	3/4	2	3	11/16
IL7A-9Bx4	IL7A-9BSx4	3000	3/4-10	3/4	2	4	11/16
IL7M-4Bx1/2	IL7M-4BSx1/2	100	1/4-20	1/2	2-1/2	1/2	11/16
IL7M-4Bx1	IL7M-4BSx1	100	1/4-20	1/2	2-1/2	1	11/16
IL7M-4B	IL7M-4BS	100	1/4-20	1/2	2-1/2	1-9/16	11/16
IL7M-4Bx2-HX	IL7M-4BSx2-HX	100	1/4-20	1/2	2-1/2	2	11/16
IL7M-4Bx25	IL7M-4BSx25	100	1/4-20	1/2	2-1/2	2-1/2	11/16
IL7M-5Bx3/4	IL7M-5BSx3/4	500	5/16-18	1/2	2-1/2	3/4	11/16
IL7M-5Bx15-HX	IL7M-5BSx15-HX	500	5/16-18	1/2	2-1/2	1-1/2	11/16
IL7M-5B	IL7M-5BS	500	5/16-18	1/2	2-1/2	1-9/16	11/16
IL7M-5Bx25-HX	IL7M-5BSx25-HX	500	5/16-18	1/2	2-1/2	2-1/2	11/16
IL7M-5Bx3	IL7M-5BSx3	500	5/16-18	1/2	2-1/2	3	11/16
IL7M-5Bx4	IL7M-5BSx4	500	5/16-18	1/2	2-1/2	4	11/16
IL7M-6Bx3/4	IL7M-6BSx3/4	1000	3/8-16	1/2	2-1/2	3/4	11/16
IL7M-6Bx15-HX	IL7M-6BSx15-HX	1000	3/8-16	1/2	2-1/2	1-1/2	11/16
IL7M-6B	IL7M-6BS	1000	3/8-16	1/2	2-1/2	1-9/16	11/16
IL7M-6Bx1	IL7M-6BSx1	1000	3/8-16	1/2	2-1/2	1	11/16
IL7M-6Bx2	IL7M-6BSx2	1000	3/8-16	1/2	2-1/2	2	11/16
IL7M-6Bx2-HX	IL7M-6BSx2-HX	1000	3/8-16	1/2	2-1/2	2	11/16
IL7M-6Bx3	IL7M-6BSx3	1000	3/8-16	1/2	2-1/2	3	11/16
IL7M-6Bx3-HX	IL7M-6BSx3-HX	1000	3/8-16	1/2	2-1/2	3	11/16
IL7M-6Bx4	IL7M-6BSx4	1000	3/8-16	1/2	2-1/2	4	11/16
IL7M-6Bx45-HX	IL7M-6BSx45-HX	1000	3/8-16	1/2	2-1/2	4-1/2	11/16
IL7M-6Bx6-HX	IL7M-6BSx6-HX	1000	3/8-16	1/2	2-1/2	6	11/16
IL7M-6FBx1	IL7M-6FBSx1	1000	3/8-24	1/2	2-1/2	1	11/16
IL7M-6FBx2	IL7M-6FBSx2	1000	3/8-24	1/2	2-1/2	2	11/16



POLY BASE FIXED STUD GLIDES WITH RUBBER PAD

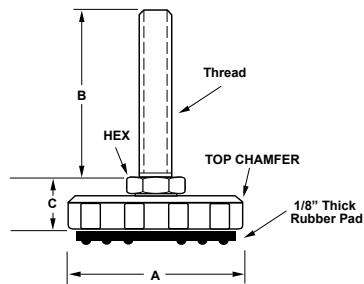
The IEC Poly Base Steel and Stainless Steel Fixed Stud Glide with Rubber Pad is ideal for medium-duty load requirements. The rubber pad provides a non-skid, surface protecting feature, while the stud tilts several degrees under load to compensate for unlevel surfaces. Cost-effective for applications not requiring a swivel base. Zinc plated steel stud and black polypropylene base, 3/8" thick. Four base sizes to choose from (1" to 3"). Many sizes available with Top-A-Just™ top-end external hex (-HX). You may also request top broached hex, allen drive (-BR).



Top-A-Just™ (-BR)



Top-A-Just™ (-HX)



Rubber Pad Bottom View

Steel	SS	Load	Thread	Hex	A	B	C
Poly Base Steel and Stainless Steel Fixed Stud Glides							
IL8-7FBx1-P	IL8-7FBSx1-P	2000	1/2-20	1/2	1-1/2	1	11/16
IL8-7FBx2-P	IL8-7FBSx2-P	2000	1/2-20	1/2	1-1/2	2	11/16
IL8-7FBx4-P	IL8-7FBSx4-P	2000	1/2-20	1/2	1-1/2	4	11/16
IL8-8B-P	IL8-8BS-P	2500	5/8-11	5/8	1-1/2	1-9/16	11/16
IL8-8Bx3-P	IL8-8BSx3-P	2500	5/8-11	5/8	1-1/2	3	11/16
IL8-8Bx4-P	IL8-8BSx4-P	2500	5/8-11	5/8	1-1/2	4	11/16
IL8-8Bx5-P	IL8-8BSx5-P	2500	5/8-11	5/8	1-1/2	5	11/16
IL8-9B-P	IL8-9BS-P	3000	3/4-10	3/4	1-1/2	1-9/16	11/16
IL8-9Bx3-P	IL8-9BSx3-P	3000	3/4-10	3/4	1-1/2	3	11/16
IL8-9Bx4-P	IL8-9BSx4-P	3000	3/4-10	3/4	1-1/2	4	11/16
IL7A-4Bx1/2-P	IL7A-4BSx1/2-P	100	1/4-20	1/2	2	1/2	11/16
IL7A-4Bx1-P	IL7A-4BSx1-P	100	1/4-20	1/2	2	1	11/16
IL7A-4B-P	IL7A-4BS-P	100	1/4-20	1/2	2	1-9/16	11/16
IL7A-4Bx2-HX-P	IL7A-4BSx2-HX-P	100	1/4-20	1/2	2	2	11/16
IL7A-4Bx25-P	IL7A-4BSx25-P	100	1/4-20	1/2	2	2-1/2	11/16
IL7A-5Bx3/4-P	IL7A-5BSx3/4-P	500	5/16-18	1/2	2	3/4	11/16
IL7A-5Bx15-HX-P	IL7A-5BSx15-HX-P	500	5/16-18	1/2	2	1-1/2	11/16
IL7A-5B-P	IL7A-5BS-P	500	5/16-18	1/2	2	1-9/16	11/16
IL7A-5Bx25-HX-P	IL7A-5BSx25-HX-P	500	5/16-18	1/2	2	2-1/2	11/16
IL7A-5Bx3-P	IL7A-5BSx3-P	500	5/16-18	1/2	2	3	11/16
IL7A-5Bx4-P	IL7A-5BSx4-P	500	5/16-18	1/2	2	4	11/16
IL7A-6Bx3/4-P	IL7A-6BSx3/4-P	1000	3/8-16	1/2	2	3/4	11/16
IL7A-6Bx15-HX-P	IL7A-6BSx15-HX-P	1000	3/8-16	1/2	2	1-1/2	11/16
IL7A-6B-P	IL7A-6BS-P	1000	3/8-16	1/2	2	1-9/16	11/16
IL7A-6Bx1-P	IL7A-6BSx1-P	1000	3/8-16	1/2	2	1	11/16
IL7A-6Bx2-P	IL7A-6BSx2-P	1000	3/8-16	1/2	2	2	11/16
IL7A-6Bx2-HX-P	IL7A-6BSx2-HX-P	1000	3/8-16	1/2	2	2	11/16
IL7A-6Bx3-P	IL7A-6BSx3-P	1000	3/8-16	1/2	2	3	11/16
IL7A-6Bx3-HX-P	IL7A-6BSx3-HX-P	1000	3/8-16	1/2	2	3	11/16
IL7A-6Bx4-P	IL7A-6BSx4-P	1000	3/8-16	1/2	2	4	11/16
IL7A-6Bx45-HX-P	IL7A-6BSx45-HX-P	1000	3/8-16	1/2	2	4-1/2	11/16
IL7A-6Bx6-HX-P	IL7A-6BSx6-HX-P	1000	3/8-16	1/2	2	6	11/16
IL7A-6FBx1-P	IL7A-6FBSx1-P	1000	3/8-24	1/2	2	1	11/16
IL7A-6FBx2-P	IL7A-6FBSx2-P	1000	3/8-24	1/2	2	2	11/16
IL7A-7B-P	IL7A-7BS-P	2000	1/2-13	1/2	2	1-9/16	11/16
IL7A-7Bx2-P	IL7A-7BSx2-P	2000	1/2-13	1/2	2	2	11/16
IL7A-7Bx2-HX-P	IL7A-7BSx2-HX-P	2000	1/2-13	1/2	2	2	11/16
IL7A-7Bx25-HX-P	IL7A-7BSx25-HX-P	2000	1/2-13	1/2	2	2-1/2	11/16
IL7A-7Bx3-P	IL7A-7BSx3-P	2000	1/2-13	1/2	2	3	11/16
IL7A-7Bx3-HX-P	IL7A-7BSx3-HX-P	2000	1/2-13	1/2	2	3	11/16
IL7A-7Bx35-HX-P	IL7A-7BSx35-HX-P	2000	1/2-13	1/2	2	3-1/2	11/16
IL7A-7Bx4-P	IL7A-7BSx4-P	2000	1/2-13	1/2	2	4	11/16
IL7A-7Bx4-HX-P	IL7A-7BSx4-HX-P	2000	1/2-13	1/2	2	4	11/16
IL7A-7Bx5-P	IL7A-7BSx5-P	2000	1/2-13	1/2	2	5	11/16
IL7A-7Bx5-HX-P	IL7A-7BSx5-HX-P	2000	1/2-13	1/2	2	5	11/16
IL7A-7Bx6-HX-P	IL7A-7BSx6-HX-P	1500	1/2-13	1/2	2	6	11/16
IL7A-7Bx8-HX-P	IL7A-7BSx8-HX-P	1000	1/2-13	1/2	2	8	11/16
IL7A-7FBx1-P	IL7A-7FBSx1-P	2000	1/2-20	1/2	2	1	11/16
IL7A-7FBx2-P	IL7A-7FBSx2-P	2000	1/2-20	1/2	2	2	11/16
IL7A-7FBx4-P	IL7A-7FBSx4-P	2000	1/2-20	1/2	2	4	11/16
IL7A-8B-P	IL7A-8BS-P	2500	5/8-11	5/8	2	1-9/16	11/16
IL7A-8Bx3-P	IL7A-8BSx3-P	2500	5/8-11	5/8	2	3	11/16
IL7A-8Bx4-P	IL7A-8BSx4-P	2500	5/8-11	5/8	2	4	11/16
IL7A-8Bx5-P	IL7A-8BSx5-P	2500	5/8-11	5/8	2	5	11/16
IL7A-9B-P	IL7A-9BS-P	3000	3/4-10	3/4	2	1-9/16	11/16
IL7A-9Bx3-P	IL7A-9BSx3-P	3000	3/4-10	3/4	2	3	11/16
IL7A-9Bx4-P	IL7A-9BSx4-P	3000	3/4-10	3/4	2	4	11/16
IL7M-4Bx1/2-P	IL7M-4BSx1/2-P	100	1/4-20	1/2	2-1/2	1/2	11/16
IL7M-4Bx1-P	IL7M-4BSx1-P	100	1/4-20	1/2	2-1/2	1	11/16
IL7M-4B-P	IL7M-4BS-P	100	1/4-20	1/2	2-1/2	1-9/16	11/16
IL7M-4Bx2-HX-P	IL7M-4BSx2-HX-P	100	1/4-20	1/2	2-1/2	2	11/16
IL7M-4Bx25-P	IL7M-4BSx25-P	100	1/4-20	1/2	2-1/2	2-1/2	11/16
IL7M-5Bx3/4-P	IL7M-5BSx3/4-P	500	5/16-18	1/2	2-1/2	3/4	11/16
IL7M-5Bx15-HX-P	IL7M-5BSx15-HX-P	500	5/16-18	1/2	2-1/2	1-1/2	11/16
IL7M-5B-P	IL7M-5BS-P	500	5/16-18	1/2	2-1/2	1-9/16	11/16
IL7M-5Bx25-HX-P	IL7M-5BSx25-HX-P	500	5/16-18	1/2	2-1/2	2-1/2	11/16
IL7M-5Bx3-P	IL7M-5BSx3-P	500	5/16-18	1/2	2-1/2	3	11/16
IL7M-5Bx4-P	IL7M-5BSx4-P	500	5/16-18	1/2	2-1/2	4	11/16
IL7M-6Bx3/4-P	IL7M-6BSx3/4-P	1000	3/8-16	1/2	2-1/2	3/4	11/16
IL7M-6Bx15-HX-P	IL7M-6BSx15-HX-P	1000	3/8-16	1/2	2-1/2	1-1/2	11/16
IL7M-6B-P	IL7M-6BS-P	1000	3/8-16	1/2	2-1/2	1-9/16	11/16
IL7M-6Bx1-P	IL7M-6BSx1-P	1000	3/8-16	1/2	2-1/2	1	11/16
IL7M-6Bx2-P	IL7M-6BSx2-P	1000	3/8-16	1/2	2-1/2	2	11/16
IL7M-6Bx2-HX-P	IL7M-6BSx2-HX-P	1000	3/8-16	1/2	2-1/2	2	11/16
IL7M-6Bx3-P	IL7M-6BSx3-P	1000	3/8-16	1/2	2-1/2	3	11/16
IL7M-6Bx3-HX-P	IL7M-6BSx3-HX-P	1000	3/8-16	1/2	2-1/2	3	11/16
IL7M-6Bx4-P	IL7M-6BSx4-P	1000	3/8-16	1/2	2-1/2	4	11/16
IL7M-6Bx45-HX-P	IL7M-6BSx45-HX-P	1000	3/8-16	1/2	2-1/2	4-1/2	11/16
IL7M-6Bx6-HX-P	IL7M-6BSx6-HX-P	1000	3/8-16	1/2	2-1/2	6	11/16
IL7M-6FBx1-P	IL7M-6FBSx1-P	1000	3/8-24	1/2	2-1/2	1	11/16
IL7M-6FBx2-P	IL7M-6FBSx2-P	1000	3/8-24	1/2	2-1/2	2	11/16



POLY BASE FIXED STUD GLIDES

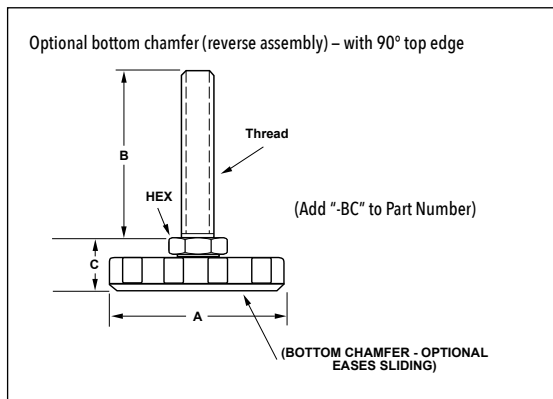
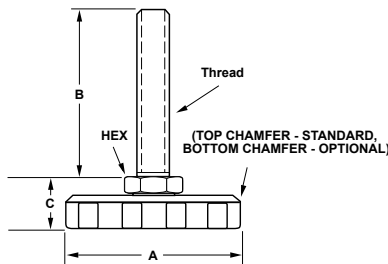
The IEC Poly Base Steel and Stainless Steel Fixed Stud Glide is ideal for medium-duty load requirements. The stud will tilt several degrees under load to compensate for unlevel surfaces. Cost-effective for applications not requiring a swivel base. Zinc plated steel stud and black polypropylene base, 3/8" thick. Four base sizes to choose from (1" to 3"). Many sizes available with Top-A-Just™ top-end external hex (-HX). You may also request top broached hex, allen drive (-BR).



Top-A-Just™ (-BR)



Top-A-Just™ (-HX)



Steel	SS	Load	Thread	Hex	A	B	C
Poly Base Steel and Stainless Steel Fixed Stud Glides							
IL7M-7B	IL7M-7BS	2000	1/2-13	1/2	2-1/2	1-9/16	11/16
IL7M-7Bx2	IL7M-7BSx2	2000	1/2-13	1/2	2-1/2	2	11/16
IL7M-7Bx2-HX	IL7M-7BSx2-HX	2000	1/2-13	1/2	2-1/2	2	11/16
IL7M-7Bx25-HX	IL7M-7BSx25-HX	2000	1/2-13	1/2	2-1/2	2-1/2	11/16
IL7M-7Bx3	IL7M-7BSx3	2000	1/2-13	1/2	2-1/2	3	11/16
IL7M-7Bx3-HX	IL7M-7BSx3-HX	2000	1/2-13	1/2	2-1/2	3	11/16
IL7M-7Bx35-HX	IL7M-7BSx35-HX	2000	1/2-13	1/2	2-1/2	3-1/2	11/16
IL7M-7Bx4	IL7M-7BSx4	2000	1/2-13	1/2	2-1/2	4	11/16
IL7M-7Bx4-HX	IL7M-7BSx4-HX	2000	1/2-13	1/2	2-1/2	4	11/16
IL7M-7Bx5	IL7M-7BSx5	2000	1/2-13	1/2	2-1/2	5	11/16
IL7M-7Bx5-HX	IL7M-7BSx5-HX	2000	1/2-13	1/2	2-1/2	5	11/16
IL7M-7Bx6-HX	IL7M-7BSx6-HX	1500	1/2-13	1/2	2-1/2	6	11/16
IL7M-7Bx8-HX	IL7M-7BSx8-HX	1000	1/2-13	1/2	2-1/2	8	11/16
IL7M-7FBx1	IL7M-7FBSx1	2000	1/2-20	1/2	2-1/2	1	11/16
IL7M-7FBx2	IL7M-7FBSx2	2000	1/2-20	1/2	2-1/2	2	11/16
IL7M-7FBx4	IL7M-7FBSx4	2000	1/2-20	1/2	2-1/2	4	11/16
IL7M-8B	IL7M-8BS	2500	5/8-11	5/8	2-1/2	1-9/16	11/16
IL7M-8Bx3	IL7M-8BSx3	2500	5/8-11	5/8	2-1/2	3	11/16
IL7M-8Bx4	IL7M-8BSx4	2500	5/8-11	5/8	2-1/2	4	11/16
IL7M-8Bx5	IL7M-8BSx5	2500	5/8-11	5/8	2-1/2	5	11/16
IL7M-9B	IL7M-9BS	3000	3/4-10	3/4	2-1/2	1-9/16	11/16
IL7M-9Bx3	IL7M-9BSx3	3000	3/4-10	3/4	2-1/2	3	11/16
IL7M-9Bx4	IL7M-9BSx4	3000	3/4-10	3/4	2-1/2	4	11/16
IL8A-4Bx1/2	IL8A-4BSx1/2	100	1/4-20	1/2	3	1/2	11/16
IL8A-4Bx1	IL8A-4BSx1	100	1/4-20	1/2	3	1	11/16
IL8A-4B	IL8A-4BS	100	1/4-20	1/2	3	1-9/16	11/16
IL8A-4Bx2-HX	IL8A-4BSx2-HX	100	1/4-20	1/2	3	2	11/16
IL8A-4Bx25	IL8A-4BSx25	100	1/4-20	1/2	3	2-1/2	11/16
IL8A-5Bx3/4	IL8A-5BSx3/4	500	5/16-18	1/2	3	3/4	11/16
IL8A-5Bx15-HX	IL8A-5BSx15-HX	500	5/16-18	1/2	3	1-1/2	11/16
IL8A-5B	IL8A-5BS	500	5/16-18	1/2	3	1-9/16	11/16
IL8A-5Bx25-HX	IL8A-5BSx25-HX	500	5/16-18	1/2	3	2-1/2	11/16
IL8A-5Bx3	IL8A-5BSx3	500	5/16-18	1/2	3	3	11/16
IL8A-5Bx4	IL8A-5BSx4	500	5/16-18	1/2	3	4	11/16
IL8A-6Bx3/4	IL8A-6BSx3/4	1000	3/8-16	1/2	3	3/4	11/16
IL8A-6Bx15-HX	IL8A-6BSx15-HX	1000	3/8-16	1/2	3	1-1/2	11/16
IL8A-6B	IL8A-6BS	1000	3/8-16	1/2	3	1-9/16	11/16
IL8A-6Bx1	IL8A-6BSx1	1000	3/8-16	1/2	3	1	11/16
IL8A-6Bx2	IL8A-6BSx2	1000	3/8-16	1/2	3	2	11/16
IL8A-6Bx2-HX	IL8A-6BSx2-HX	1000	3/8-16	1/2	3	2	11/16
IL8A-6Bx3	IL8A-6BSx3	1000	3/8-16	1/2	3	3	11/16
IL8A-6Bx3-HX	IL8A-6BSx3-HX	1000	3/8-16	1/2	3	3	11/16
IL8A-6Bx4	IL8A-6BSx4	1000	3/8-16	1/2	3	4	11/16
IL8A-6Bx45-HX	IL8A-6BSx45-HX	1000	3/8-16	1/2	3	4-1/2	11/16
IL8A-6Bx6-HX	IL8A-6BSx6-HX	1000	3/8-16	1/2	3	6	11/16
IL8A-6FBx1	IL8A-6FBSx1	1000	3/8-24	1/2	3	1	11/16
IL8A-6FBx2	IL8A-6FBSx2	1000	3/8-24	1/2	3	2	11/16
IL8A-7B	IL8A-7BS	2000	1/2-13	1/2	3	1-9/16	11/16
IL8A-7Bx2	IL8A-7BSx2	2000	1/2-13	1/2	3	2	11/16
IL8A-7Bx2-HX	IL8A-7BSx2-HX	2000	1/2-13	1/2	3	2	11/16
IL8A-7Bx25-HX	IL8A-7BSx25-HX	2000	1/2-13	1/2	3	2-1/2	11/16
IL8A-7Bx3	IL8A-7BSx3	2000	1/2-13	1/2	3	3	11/16
IL8A-7Bx3-HX	IL8A-7BSx3-HX	2000	1/2-13	1/2	3	3	11/16
IL8A-7Bx35-HX	IL8A-7BSx35-HX	2000	1/2-13	1/2	3	3-1/2	11/16
IL8A-7Bx4	IL8A-7BSx4	2000	1/2-13	1/2	3	4	11/16
IL8A-7Bx4-HX	IL8A-7BSx4-HX	2000	1/2-13	1/2	3	4	11/16
IL8A-7Bx5	IL8A-7BSx5	2000	1/2-13	1/2	3	5	11/16
IL8A-7Bx5-HX	IL8A-7BSx5-HX	2000	1/2-13	1/2	3	5	11/16
IL8A-7Bx6-HX	IL8A-7BSx6-HX	1500	1/2-13	1/2	3	6	11/16
IL8A-7Bx8-HX	IL8A-7BSx8-HX	1000	1/2-13	1/2	3	8	11/16
IL8A-7FBx1	IL8A-7FBSx1	2000	1/2-20	1/2	3	1	11/16
IL8A-7FBx2	IL8A-7FBSx2	2000	1/2-20	1/2	3	2	11/16
IL8A-7FBx4	IL8A-7FBSx4	2000	1/2-20	1/2	3	4	11/16
IL8A-8B	IL8A-8BS	2500	5/8-11	5/8	3	1-9/16	11/16
IL8A-8Bx3	IL8A-8BSx3	2500	5/8-11	5/8	3	3	11/16
IL8A-8Bx4	IL8A-8BSx4	2500	5/8-11	5/8	3	4	11/16
IL8A-8Bx5	IL8A-8BSx5	2500	5/8-11	5/8	3	5	11/16
IL8A-9B	IL8A-9BS	3000	3/4-10	3/4	3	1-9/16	11/16
IL8A-9Bx3	IL8A-9BSx3	3000	3/4-10	3/4	3	3	11/16
IL8A-9Bx4	IL8A-9BSx4	3000	3/4-10	3/4	3	4	11/16



POLY BASE FIXED STUD GLIDES WITH RUBBER PAD

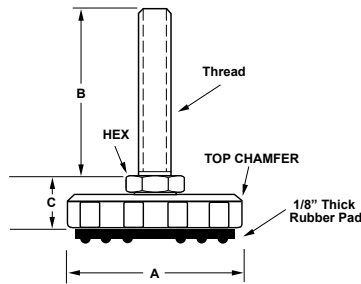
The IEC Poly Base Steel and Stainless Steel Fixed Stud Glide with Rubber Pad is ideal for medium-duty load requirements. The rubber pad provides a non-skid, surface protecting feature, while the stud tilts several degrees under load to compensate for unlevel surfaces. Cost-effective for applications not requiring a swivel base. Zinc plated steel stud and black polypropylene base, 3/8" thick. Four base sizes to choose from (1" to 3"). Many sizes available with Top-A-Just™ top-end external hex (-HX). You may also request top broached hex, allen drive (-BR).



Top-A-Just™ (-BR)



Top-A-Just™ (-HX)



Rubber Pad Bottom View

Steel	SS	Load	Thread	Hex	A	B	C
Poly Base Steel and Stainless Steel Fixed Stud Glides							
IL7M-7B-P	IL7M-7BS-P	2000	1/2-13	1/2	2-1/2	1-9/16	11/16
IL7M-7Bx2-P	IL7M-7BSx2-P	2000	1/2-13	1/2	2-1/2	2	11/16
IL7M-7Bx2-HX-P	IL7M-7BSx2-HX-P	2000	1/2-13	1/2	2-1/2	2	11/16
IL7M-7Bx25-HX-P	IL7M-7BSx25-HX-P	2000	1/2-13	1/2	2-1/2	2-1/2	11/16
IL7M-7Bx3-P	IL7M-7BSx3-P	2000	1/2-13	1/2	2-1/2	3	11/16
IL7M-7Bx3-HX-P	IL7M-7BSx3-HX-P	2000	1/2-13	1/2	2-1/2	3	11/16
IL7M-7Bx35-HX-P	IL7M-7BSx35-HX-P	2000	1/2-13	1/2	2-1/2	3-1/2	11/16
IL7M-7Bx4-P	IL7M-7BSx4-P	2000	1/2-13	1/2	2-1/2	4	11/16
IL7M-7Bx4-HX-P	IL7M-7BSx4-HX-P	2000	1/2-13	1/2	2-1/2	4	11/16
IL7M-7Bx5-P	IL7M-7BSx5-P	2000	1/2-13	1/2	2-1/2	5	11/16
IL7M-7Bx5-HX-P	IL7M-7BSx5-HX-P	2000	1/2-13	1/2	2-1/2	5	11/16
IL7M-7Bx6-HX-P	IL7M-7BSx6-HX-P	1500	1/2-13	1/2	2-1/2	6	11/16
IL7M-7Bx8-HX-P	IL7M-7BSx8-HX-P	1000	1/2-13	1/2	2-1/2	8	11/16
IL7M-7FBx1-P	IL7M-7FBSx1-P	2000	1/2-20	1/2	2-1/2	1	11/16
IL7M-7FBx2-P	IL7M-7FBSx2-P	2000	1/2-20	1/2	2-1/2	2	11/16
IL7M-7FBx4-P	IL7M-7FBSx4-P	2000	1/2-20	1/2	2-1/2	4	11/16
IL7M-8B-P	IL7M-8BS-P	2500	5/8-11	5/8	2-1/2	1-9/16	11/16
IL7M-8Bx3-P	IL7M-8BSx3-P	2500	5/8-11	5/8	2-1/2	3	11/16
IL7M-8Bx4-P	IL7M-8BSx4-P	2500	5/8-11	5/8	2-1/2	4	11/16
IL7M-8Bx5-P	IL7M-8BSx5-P	2500	5/8-11	5/8	2-1/2	5	11/16
IL7M-9B-P	IL7M-9BS-P	3000	3/4-10	3/4	2-1/2	1-9/16	11/16
IL7M-9Bx3-P	IL7M-9BSx3-P	3000	3/4-10	3/4	2-1/2	3	11/16
IL7M-9Bx4-P	IL7M-9BSx4-P	3000	3/4-10	3/4	2-1/2	4	11/16
IL8A-4Bx1/2-P	IL8A-4BSx1/2-P	100	1/4-20	1/2	3	1/2	11/16
IL8A-4Bx1-P	IL8A-4BSx1-P	100	1/4-20	1/2	3	1	11/16
IL8A-4B-P	IL8A-4BS-P	100	1/4-20	1/2	3	1-9/16	11/16
IL8A-4Bx25-P	IL8A-4BSx25-P	100	1/4-20	1/2	3	2-1/2	11/16
IL8A-5Bx3/4-P	IL8A-5BSx3/4-P	500	5/16-18	1/2	3	3/4	11/16
IL8A-5Bx15-HX-P	IL8A-5BSx15-HX-P	500	5/16-18	1/2	3	1-1/2	11/16
IL8A-5B-P	IL8A-5BS-P	500	5/16-18	1/2	3	1-9/16	11/16
IL8A-5Bx25-HX-P	IL8A-5BSx25-HX-P	500	5/16-18	1/2	3	2-1/2	11/16
IL8A-5Bx3-P	IL8A-5BSx3-P	500	5/16-18	1/2	3	3	11/16
IL8A-5Bx4-P	IL8A-5BSx4-P	500	5/16-18	1/2	3	4	11/16
IL8A-6Bx3/4-P	IL8A-6BSx3/4-P	1000	3/8-16	1/2	3	3/4	11/16
IL8A-6Bx15-HX-P	IL8A-6BSx15-HX-P	1000	3/8-16	1/2	3	1-1/2	11/16
IL8A-6B-P	IL8A-6BS-P	1000	3/8-16	1/2	3	1-9/16	11/16
IL8A-6Bx1-P	IL8A-6BSx1-P	1000	3/8-16	1/2	3	1	11/16
IL8A-6Bx2-P	IL8A-6BSx2-P	1000	3/8-16	1/2	3	2	11/16
IL8A-6Bx2-HX-P	IL8A-6BSx2-HX-P	1000	3/8-16	1/2	3	2	11/16
IL8A-6Bx3-P	IL8A-6BSx3-P	1000	3/8-16	1/2	3	3	11/16
IL8A-6Bx3-HX-P	IL8A-6BSx3-HX-P	1000	3/8-16	1/2	3	3	11/16
IL8A-6Bx4-P	IL8A-6BSx4-P	1000	3/8-16	1/2	3	4	11/16
IL8A-6Bx45-HX-P	IL8A-6BSx45-HX-P	1000	3/8-16	1/2	3	4-1/2	11/16
IL8A-6Bx6-HX-P	IL8A-6BSx6-HX-P	1000	3/8-16	1/2	3	6	11/16
IL8A-6FBx1-P	IL8A-6FBSx1-P	1000	3/8-24	1/2	3	1	11/16
IL8A-6FBx2-P	IL8A-6FBSx2-P	1000	3/8-24	1/2	3	2	11/16
IL8A-7B-P	IL8A-7BS-P	2000	1/2-13	1/2	3	1-9/16	11/16
IL8A-7Bx2-P	IL8A-7BSx2-P	2000	1/2-13	1/2	3	2	11/16
IL8A-7Bx2-HX-P	IL8A-7BSx2-HX-P	2000	1/2-13	1/2	3	2	11/16
IL8A-7Bx25-HX-P	IL8A-7BSx25-HX-P	2000	1/2-13	1/2	3	2-1/2	11/16
IL8A-7Bx3-P	IL8A-7BSx3-P	2000	1/2-13	1/2	3	3	11/16
IL8A-7Bx3-HX-P	IL8A-7BSx3-HX-P	2000	1/2-13	1/2	3	3	11/16
IL8A-7Bx35-HX-P	IL8A-7BSx35-HX-P	2000	1/2-13	1/2	3	3-1/2	11/16
IL8A-7Bx4-P	IL8A-7BSx4-P	2000	1/2-13	1/2	3	4	11/16
IL8A-7Bx4-HX-P	IL8A-7BSx4-HX-P	2000	1/2-13	1/2	3	4	11/16
IL8A-7Bx5-P	IL8A-7BSx5-P	2000	1/2-13	1/2	3	5	11/16
IL8A-7Bx5-HX-P	IL8A-7BSx5-HX-P	2000	1/2-13	1/2	3	5	11/16
IL8A-7Bx6-HX-P	IL8A-7BSx6-HX-P	1500	1/2-13	1/2	3	6	11/16
IL8A-7Bx8-HX-P	IL8A-7BSx8-HX-P	1000	1/2-13	1/2	3	8	11/16
IL8A-7FBx1-P	IL8A-7FBSx1-P	2000	1/2-20	1/2	3	1	11/16
IL8A-7FBx2-P	IL8A-7FBSx2-P	2000	1/2-20	1/2	3	2	11/16
IL8A-7FBx4-P	IL8A-7FBSx4-P	2000	1/2-20	1/2	3	4	11/16
IL8A-8B-P	IL8A-8BS-P	2500	5/8-11	5/8	3	1-9/16	11/16
IL8A-8Bx3-P	IL8A-8BSx3-P	2500	5/8-11	5/8	3	3	11/16
IL8A-8Bx4-P	IL8A-8BSx4-P	2500	5/8-11	5/8	3	4	11/16
IL8A-8Bx5-P	IL8A-8BSx5-P	2500	5/8-11	5/8	3	5	11/16
IL8A-9B-P	IL8A-9BS-P	3000	3/4-10	3/4	3	1-9/16	11/16
IL8A-9Bx3-P	IL8A-9BSx3-P	3000	3/4-10	3/4	3	3	11/16
IL8A-9Bx4-P	IL8A-9BSx4-P	3000	3/4-10	3/4	3	4	11/16